

PCM PLT w/E1/T1 Drop Insert Multiplexer

705203ET Digital Engineering Orderwire & High-Speed Synchronous Data Channel

The Ardax Systems 705203ET PCM encoded Party-Line Telephone, Digital Loop-Switch (PLT DLS 2) station unit is a 4th generation party-line digital orderwire unit offering a wide range of built-in features in a clean, compact package. To provide maximum flexibility, each port on the PCM PLT has the ability to lock-on independently and automatically to varying line rates from 64 to over 100 Kb/s. The Digital Orderwire can also add/drop a party-line Voice Frequency channel without degradation of voice quality or addition of noise, regardless of system size or complexity.

The telephone drop circuit allows a standard 2-wire telephone or a cordless speaker-phone telephone with Class A or B ringer to be connected directly to the 705203ET PCM PLT DLS2. The telephone circuit can be field programmed to respond to any two or three digit address number. With a specially modified 4-wire telephone instrument and a strap option, 4-wire telephone operation is possible.



A built-in high efficiency inverter type switching power supply operating from -21 to -60v DC station battery supplies power to the telephone drop circuit, digital bridge sections and the add-on boards when equipped. In addition, it also supplies the high voltage required for the telephone ringing voltage generator.

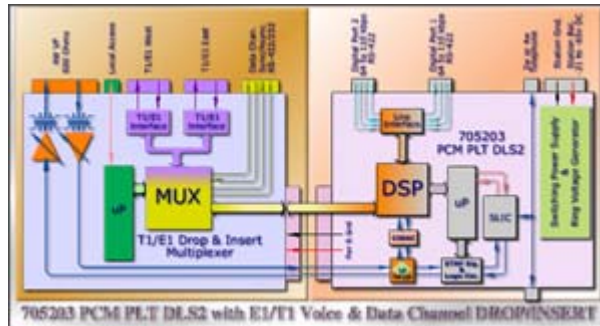
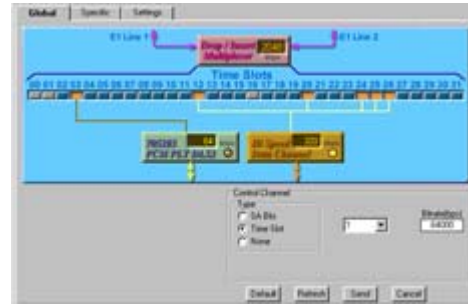
Main Features

- Loop switch protection capability
- PCM Digital Bridge
- Digital Phase Lock Loop System Synchronization
- Two RS-422A (V.11) Digital Ports
- Independent clock & data rates on each port. Each port 64-100 Kb/s
- Individual digital port alarm LED indicators
- Major/Minor summary alarm outputs with LED indicators
- DTMF Signaling with wide range of signaling functions
- 2-wire or 4-wire telephone drop capability
- Programmable external DC signaling interface*
- Analog voice frequency 4-wire 600 Ohm balanced port options*
- Optional add-on board for expanded applications
- -21 to -60 Vdc input Switching Power Supply and Ring Voltage generator
- Rear/Front panels reversible for front access of rear connectors
- Reduced size 19 inch (483 mm) shelf, only 8 inch (203 mm) deep.

****Available only when optional add-on board is equipped***

E1/T1 Drop Insert MUX (optional)

- EOW voice channel on any timeslot
- Synchronous or Async variable rate data channel, with any combination of timeslots
- External multiplex for multiple voice & data channels
- GUI configuration of system parameters



Functional Block Diagram

The 705203ET version includes the 707311 E1/T1 Drop/Insert MUX board which connects to a standard E1 or T1 Line in two directions at repeaters, dropping selected timeslots and relaying the remaining timeslots without modifications. From each direction the MUX drops one 64 kbps slot for voice and one or more timeslots for a variable rate data channel. The voice slot is interconnected to the 705203 PCM PLT digital bridge with the two internal ports 3 and 4.